

Features:

- High performance, highly programmable, PLL-based Frequency Synthesizer
- Digital CMOS process
- Low power dissipation
- No external components required
- High frequency, low jitter output
- Programmable output frequencies
- Wide input frequency range
- Integrated Lock detector
- Full power-down mode

General Description:

The MXL-PLL-MIPI is a high performance PLL based frequency synthesizer implemented using digital CMOS technology. It is highly integrated and requires no external components. Differential circuit techniques are employed to attain low jitter in the noisy environment typical of multi-million gates digital chip. The circuit is designed in a modular fashion and desensitized to process variations. The MXL-PLL-MIPI incorporates a lock detector, one independent output dividers and supports full-power down modes.

Block Diagram:

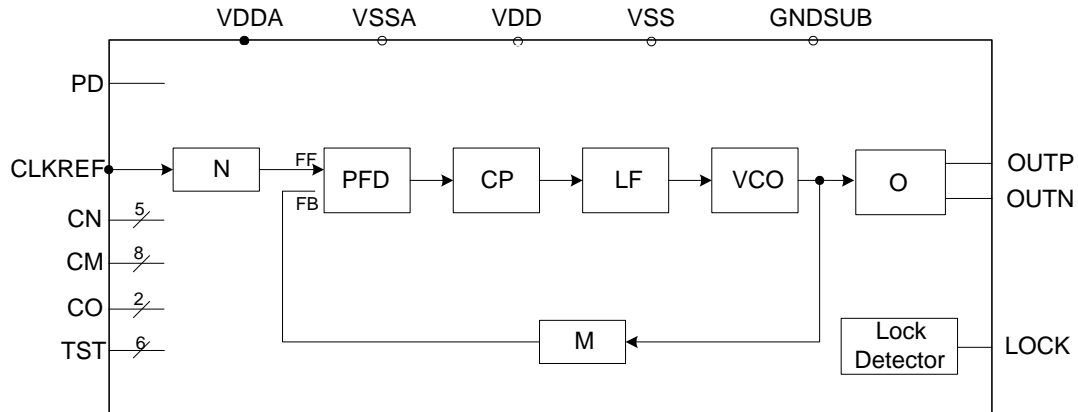


Figure 1: PLL block diagram